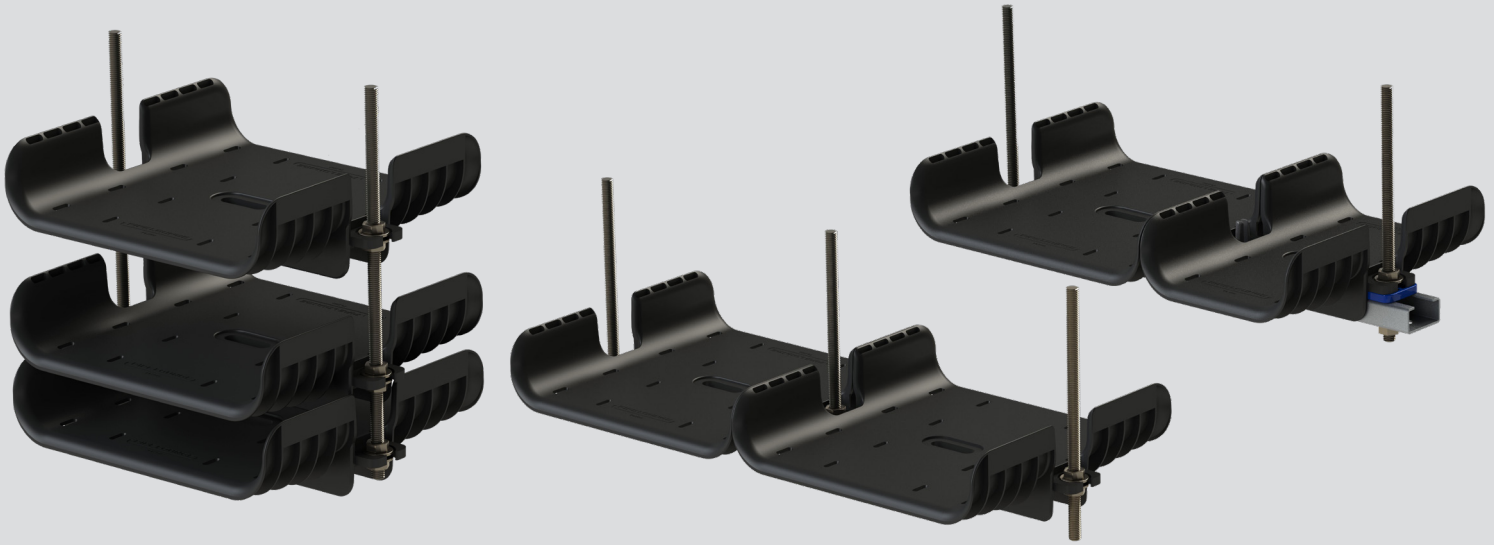


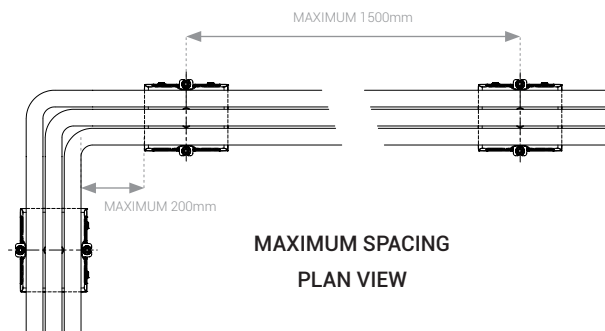
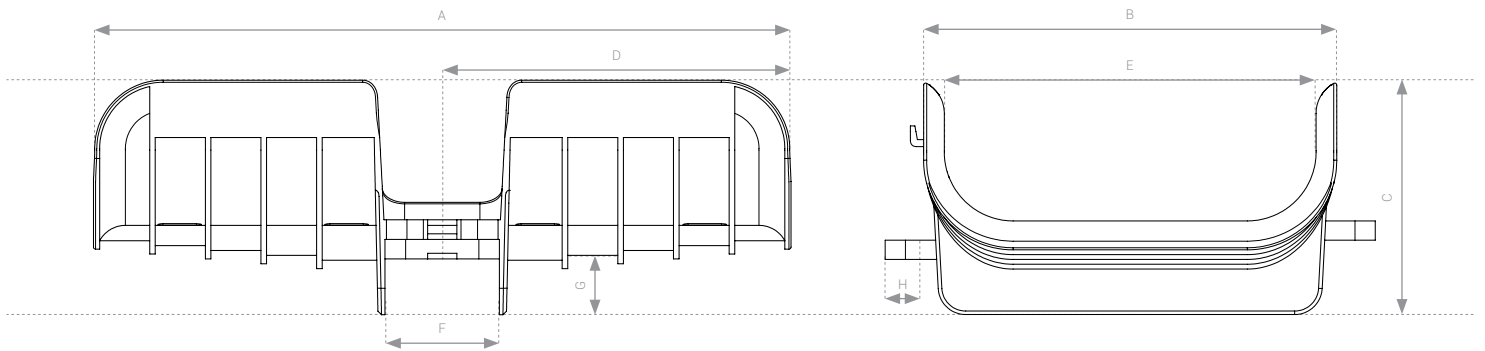
INSTALLATION GUIDE FOR THE PIPELOUNGE MULTI-PIPE SUPPORT SYSTEM



| MODEL | A | B | C | D | E | F | G | H |
|---------|-----|-----|----|-----|-----|----|----|----|
| PL Mini | 250 | 113 | 85 | 125 | 97 | 42 | 20 | 15 |
| PL150 | 250 | 150 | 85 | 125 | 134 | 42 | 20 | 15 |
| PL200 | 250 | 200 | 85 | 125 | 184 | 42 | 20 | 15 |
| PL300 | 250 | 300 | 85 | 125 | 284 | 42 | 20 | 15 |
| PL400 | 250 | 400 | 85 | 125 | 384 | 42 | 20 | 15 |
| PL500 | 250 | 500 | 85 | 125 | 484 | 42 | 20 | 15 |
| PL600 | 250 | 600 | 85 | 125 | 584 | 42 | 20 | 15 |

SIDE VIEW

END VIEW



Check the Pipelounge [website](https://www.pipelounge.com) to obtain the latest guidance prior to installation. Contact Pipelounge to discuss any applications other than those described in this guidance. Equipment, tools and materials other than the Pipelounge product must be sourced separately by the installer.

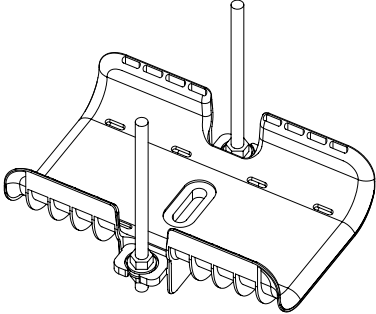
INSTALLATION GUIDE

FOR THE PIPELOUNGE MULTI-PIPE SUPPORT SYSTEM

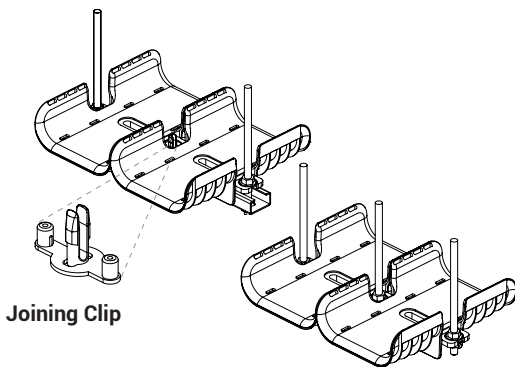


Version 101.10.2024

Single bracket arrangement

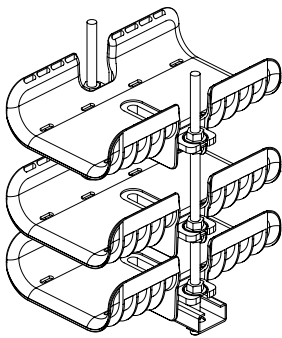


Multiple horizontal bracket arrangement

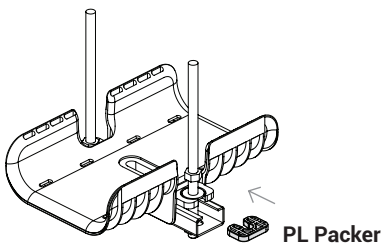


Joining Clip

Multiple stacked bracket arrangement



Securing bracket to strut framing system



PL Packer

Support brackets shall be installed in accordance with this guidance.

1. Pipelounge brackets are designed to support horizontally arranged insulated refrigerant pipes.
2. Select each bracket width to suit the number of supported pipes.
3. Distribute insulated pipes uniformly across the full width of each bracket.
4. Maximum load of 50kg per bracket when not supported by a strut framing system designed in accordance with the relevant manufacturer's printed instructions for the final load.
5. Use the Pipelounge joining clip when connecting multiple brackets horizontally across a steel strut framing system.
6. Vertically stacked brackets shall each be connected directly to the hanging rods.
7. When installing bracket on a strut framing system, fit one PL Packer beneath each upper mounting tab as shown, to support tab when securing the hanging rod through the tab.
8. Provide brackets at maximum 1500mm intervals along the length of the supported pipework and a maximum of 200mm from each change in direction.
9. Secure insulated pipes to each bracket by hook-and-loop fastening straps. Do not compress the pipe insulation material and allow independent longitudinal movement of each pipe through the bracket.
10. Select the length of each fastening strap to surround the entire perimeter of the bracket and supported pipes, plus a minimum 100mm overlap.
11. Affix each bracket directly to the building structure by high tensile M10 threaded rod connected to both sides of the bracket.
12. Secure each bracket to the hanging rod with flanged nuts from above and below.
13. Trim and file hanging rods to align with the underside of the bracket to prevent injury.
14. Where seismic restraint of the support system is required, fit brackets over a 40mm strut framing system, with a certified seismic restraint system applied directly to the strut.
15. Adjust the strength and span of the selected anchoring and strut systems to accommodate the load of multiple stacked or joined brackets.
16. Provide additional protection, independent and external to the bracket and supported pipework where brackets are installed in a location subject to sunlight, wind, rain, snow and/or ice.

sales@pipelounge.com

pipelounge.com

PIPE LOUNGE

This guidance has been prepared with reference to the following reports:

13099 Construction Regulation Advice, AED 23/10/24
LS24-0038 LT Load Test Report, LMATS 11/01/24
23985 SA1a CS/cs Assessment of Structural Suitability, CSE 16/5/24

Design and Utility Patents Pending

Establish any project-specific limitations and certification requirements relevant to the installation and arrangement of refrigerant pipework, insulation and supports prior to commencing installation. **Contact Pipelounge** for further information and guidance where the circumstances of an installation cannot accommodate these instructions.