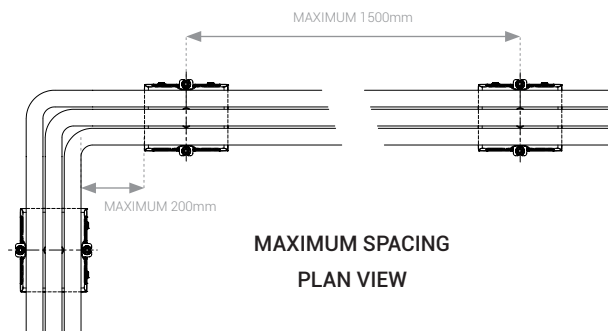
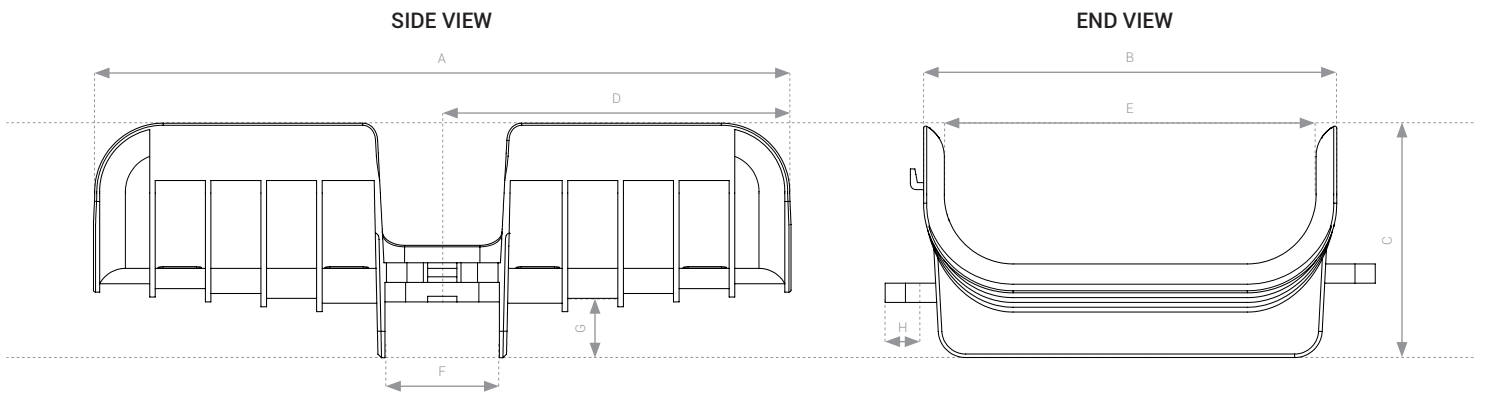


INSTALLATION GUIDE FOR THE PIPELOUNGE MULTI-PIPE SUPPORT SYSTEM



MODEL	A	B	C	D	E	F	G	H
PL Mini	250	113	85	125	97	42	20	15
PL150	250	150	85	125	134	42	20	15
PL200	250	200	85	125	184	42	20	15
PL300	250	300	85	125	284	42	20	15
PL400	250	400	85	125	384	42	20	15
PL500	250	500	85	125	484	42	20	15
PL600	250	600	85	125	584	42	20	15



Check the Pipelounge [website](https://www.pipelounge.com) to obtain the latest guidance prior to installation. Contact Pipelounge to discuss any applications other than those described in this guidance. Equipment, tools and materials other than the Pipelounge product must be sourced separately by the installer.

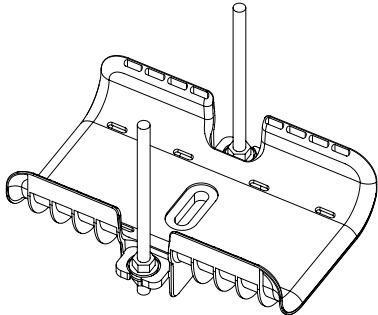
INSTALLATION GUIDE

FOR THE PIPELOUNGE MULTI-PIPE SUPPORT SYSTEM

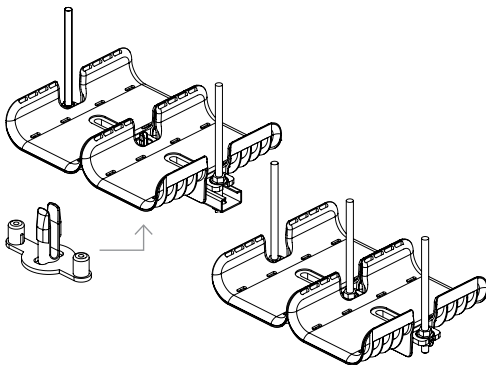


Version 101.08.2024

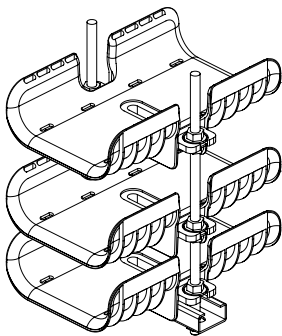
Single bracket arrangement



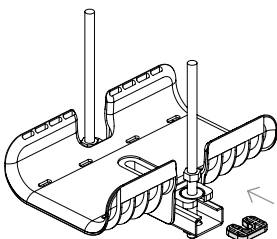
Multiple horizontal bracket arrangement



Multiple stacked bracket arrangement



PL Packer



Support brackets shall be installed in accordance with this guidance.

1. Pipelounge brackets are designed to support horizontally arranged insulated refrigerant pipes.
2. Uniform distribution of insulated pipes across the full width of each bracket.
3. Select each bracket width to suit the number of supported pipes.
4. Maximum load of 50kg per bracket when not supported by a strut framing system designed in accordance with the relevant manufacturer's printed instructions for the final load.
5. Use the Pipelounge joining clip when connecting multiple brackets horizontally across a steel strut framing system.
6. Vertically stacked brackets shall each be connected directly to the hanging rods.
7. When using strut it is recommended you use a PL Packer under the upper mounting tab side between the mount and strut as shown.
8. Provide brackets at maximum 1500mm intervals along the length of the supported pipework and a maximum of 200mm from each change in direction.
9. Secure insulated pipes to each bracket by hook-and-loop fastening straps. Do not compress the pipe insulation material and allow independent longitudinal movement of each pipe through the bracket.
10. Select the length of each fastening strap to surround the entire perimeter of the bracket and supported pipes, plus a minimum 100mm overlap.
11. Affix each bracket directly to the building structure by high tensile M10 threaded rod connected to both sides of the bracket.
12. Secure each bracket to the hanging rod with flanged nuts from above and below.
13. Trim and file hanging rods to align with the underside of the bracket to prevent injury.
14. Where seismic restraint of the support system is required, fit brackets over a 40mm strut framing system, with a certified seismic restraint system applied directly to the strut.
15. Adjust the strength and span of the selected anchoring and strut systems to accommodate the load of multiple stacked or joined brackets.
16. Provide additional protection, independent and external to the bracket and supported pipework where brackets are installed in a location subject to sunlight, wind, rain, snow and/or ice.

sales@pipelounge.com

pipelounge.com

PIPE LOUNGE

This guidance has been prepared with reference to the following reports:

13099 Construction Regulation Advice, AED 23/11/23
LS24-0038 LT Load Test Report, LMATS 11/01/24
23985 SA1a CS/cs Assessment of Structural Suitability, CSE 16/5/24

Contact Pipelounge for further information and guidance where the circumstances of an installation cannot accommodate these instructions.

Design and Utility Patents Pending